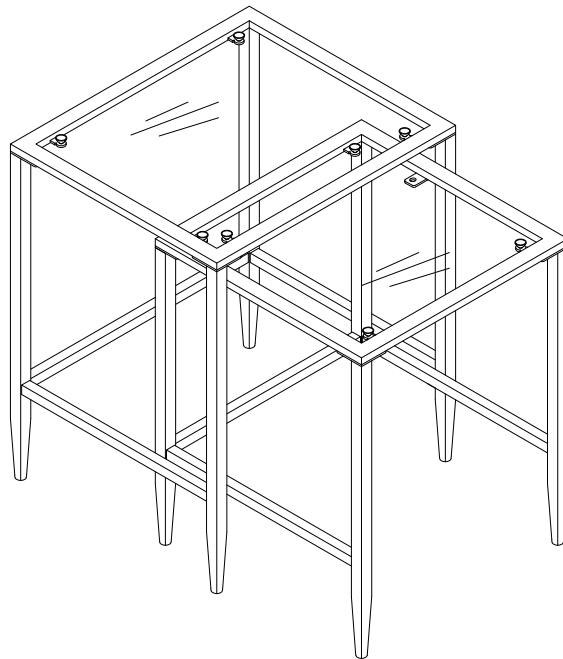
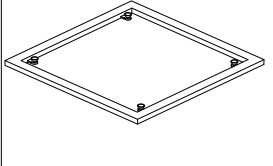
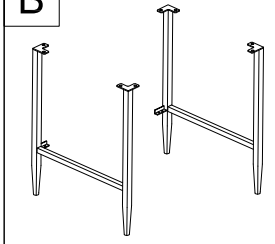
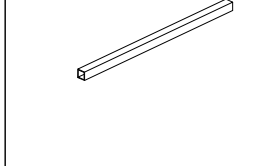
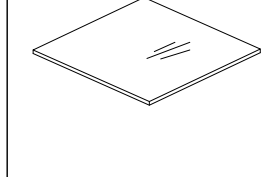




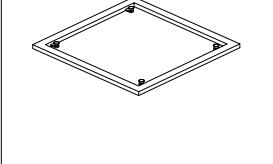
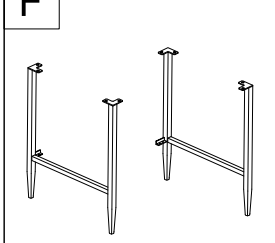
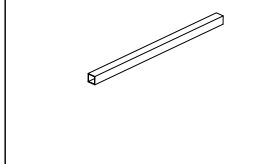
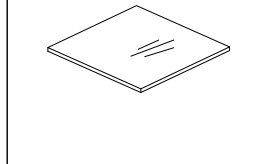
Nesting Table
CF1331





LARGE TABLE PART LIST

<p>A</p> 	<p>B</p> 	<p>C</p> 	<p>D</p> 
<p>Top Frame 1 PC</p>	<p>Side Panel 2 PCS</p>	<p>Cross Bar 1 PC</p>	<p>Top Glass 1 PC</p>

SMALL TABLE PART LIST

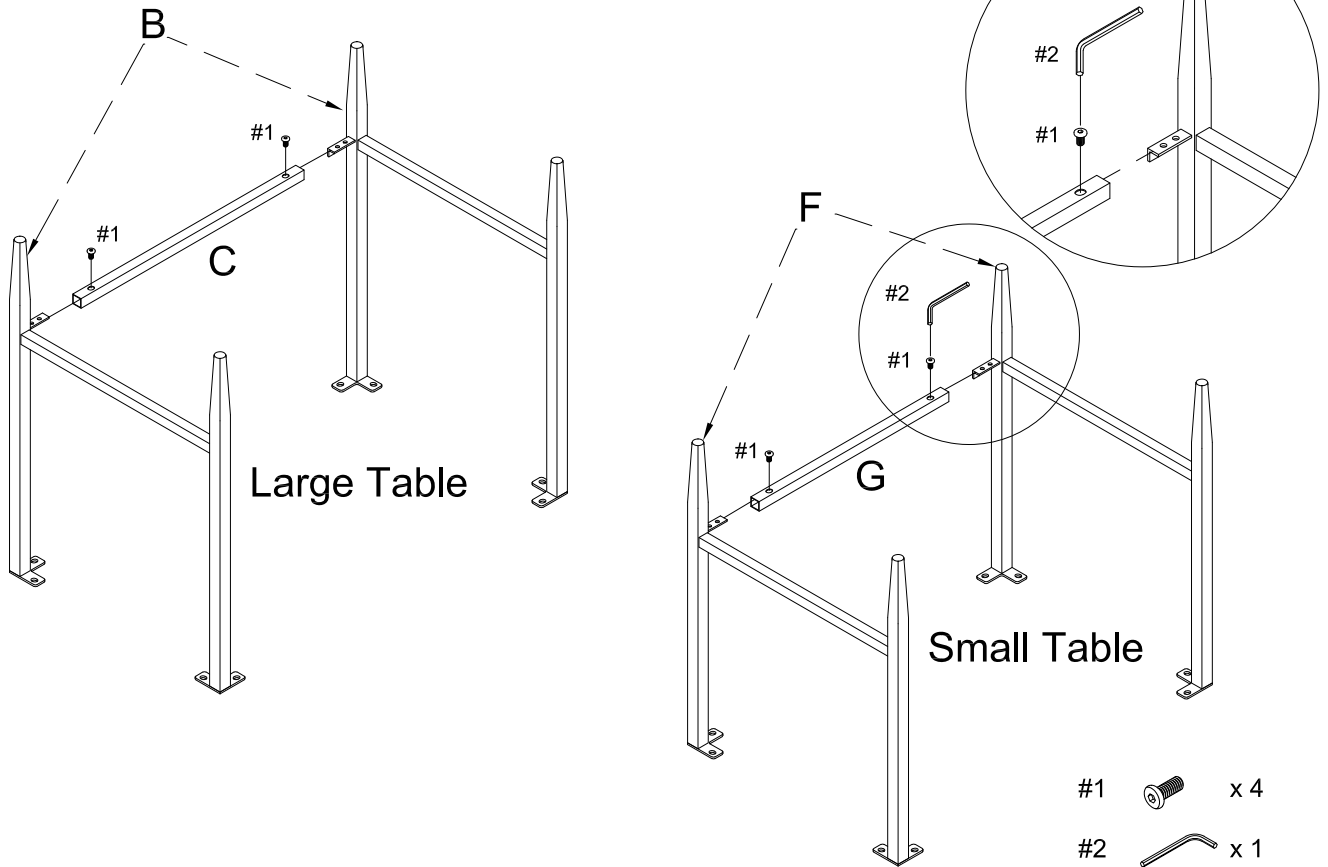
<p>E</p> 	<p>F</p> 	<p>G</p> 	<p>H</p> 
<p>Small Top Frame 1 PC</p>	<p>Small Side Panel 2 PCS</p>	<p>Small Cross Bar 1 PC</p>	<p>Small Top Glass 1 PC</p>

HARDWARE LIST

<p>#1</p>  <p>1/4" x 1/2"L</p>	<p>#2</p> 
<p>Bolt 20 PCS (Extra1)</p>	<p>Allen Wrench 1 PC</p>

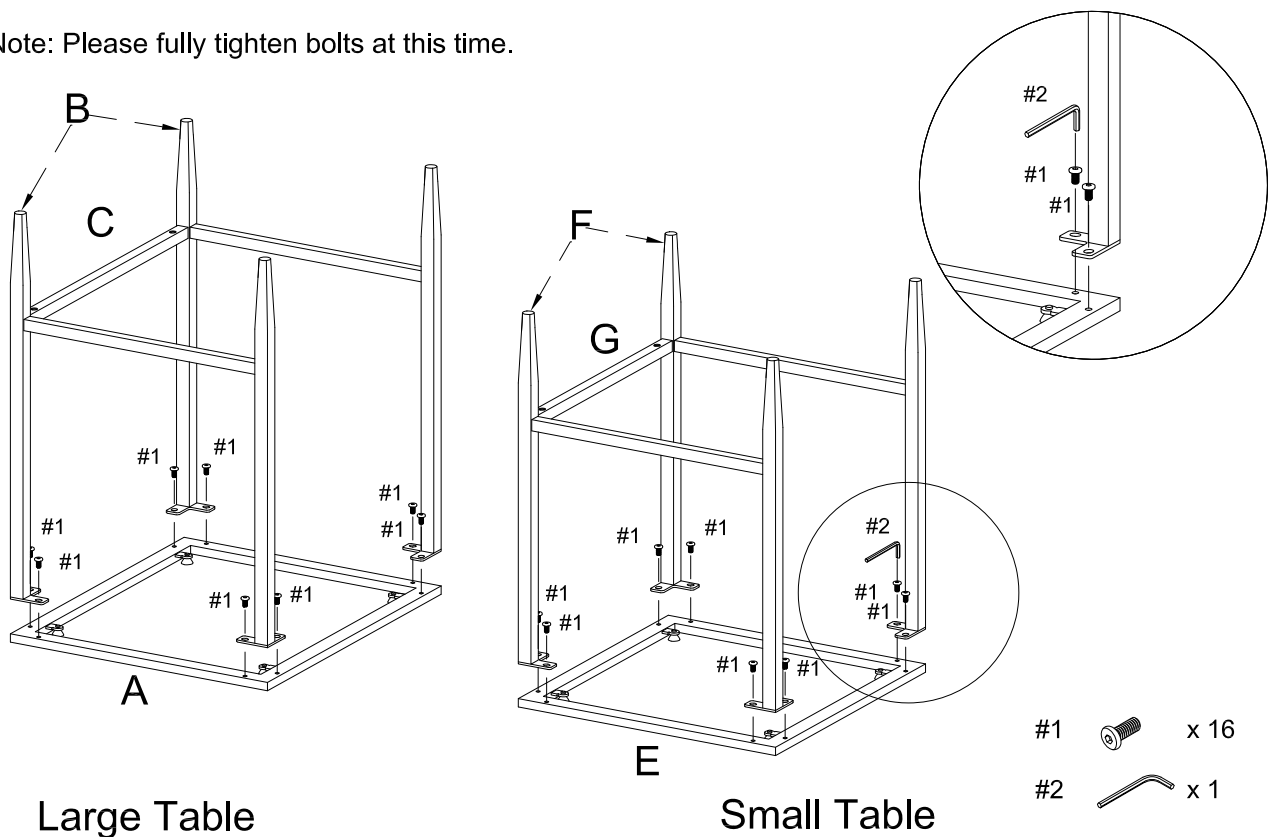
Step 1. Insert cross bar (part C) into side panels (part B) and insert small cross bar (part G) into small side panels (part F) using bolts (part #1) and allen wrench (part #2).

Note: Please do not fully tighten bolts at this time.

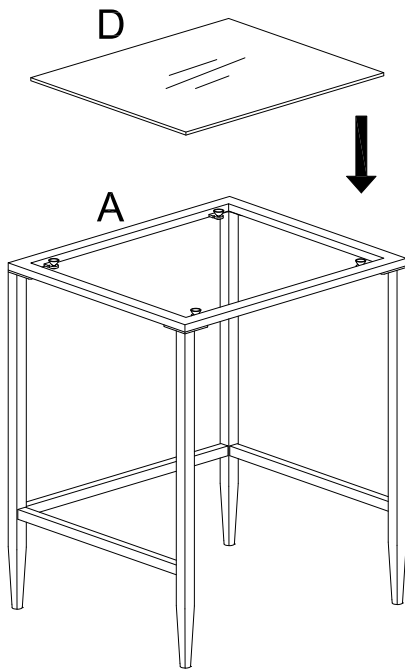


Step 2. Lay top frame (part A) and small top frame (part E) upside down on a flat, soft surface, such as carpet. Attach assembled unit (parts B & C) to top frame (part A) and assemble small unit (parts F & G) to small top frame (part E) using bolts (part #1) and allen wrench (part #2).

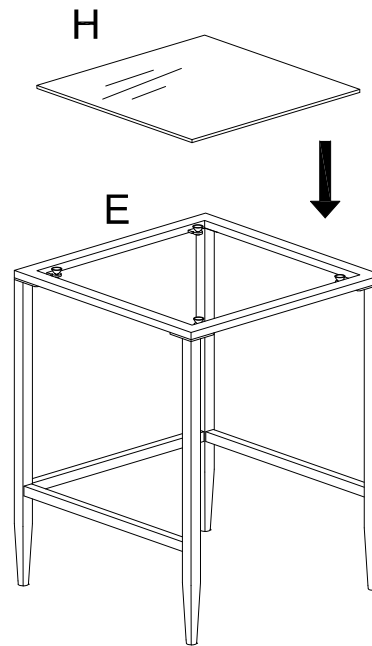
Note: Please fully tighten bolts at this time.



Step 3. Carefully turn assembled unit upright. Attach top glass (part D) into large assembled unit and attach small top glass (part H) into small assembled unit.



Large Table



Small Table